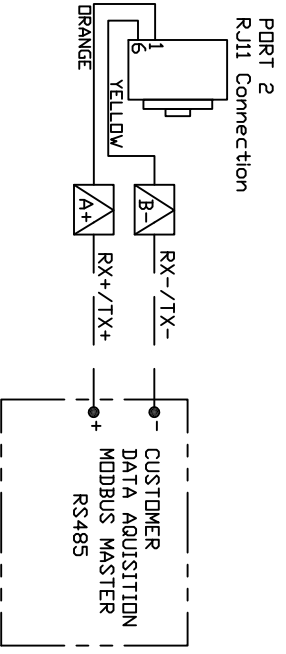


DEVICE	TERMINAL S
MAIN POWER SUPPLY	120VAC 101,104
24VDC POWER	106,107
24VAC POWER	102,105
ALARM LIGHT*	114,134
ALARM REMOTE STATUS*	115,134
CONTROL VALVE 4-20 mA	135,136
RTDI, DHV OUTLET TEMP.	138,139,140
Flowmeter (IntellifLO)	106,143

EXTERNAL CONNECTIONS



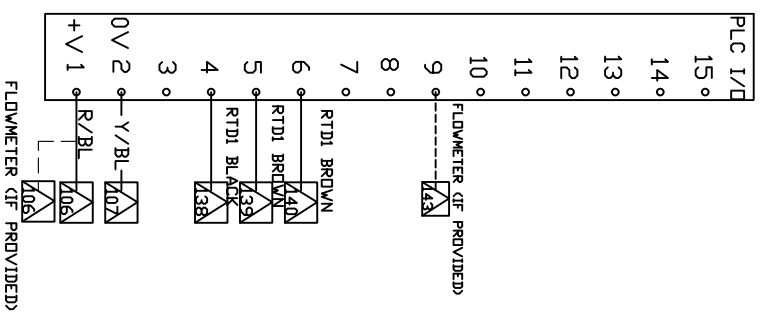
MODBUS SLAVE PORT WIRING

- SHIP LOOSE EQUIPMENT MOUNTED: DENOTES EQUIPMENT MOUNTED INSIDE CONTROL PANEL
- EQUIPMENT NOT SUPPLIED BY CAMUS HYDRONICS: ON CONTROL PANEL
- MECHANICAL CONNECTIONS: OUTSIDE CONTROL PANEL
- TERMINAL DESIGNATION: CONTROL PANEL TERMINAL
- DN DEVICE: ON DEVICE

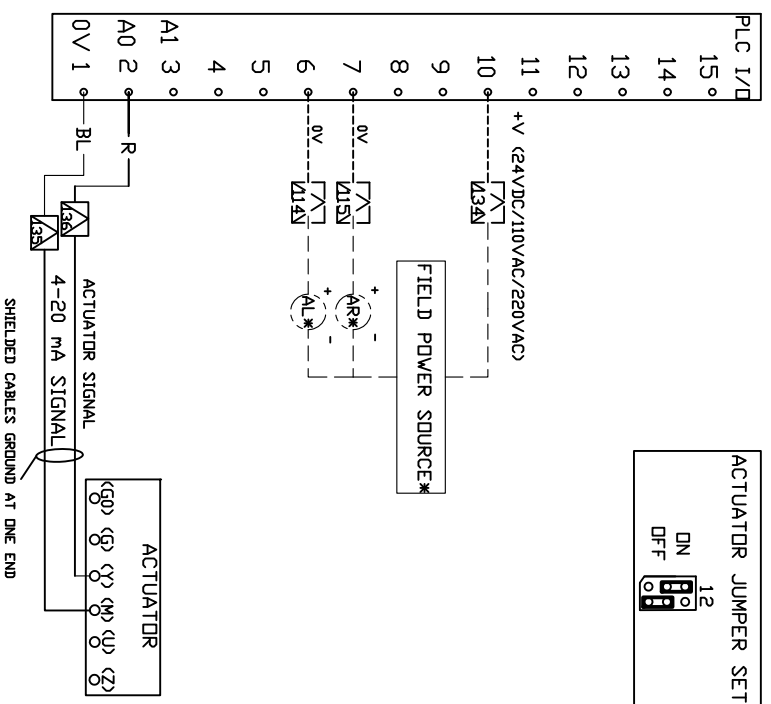
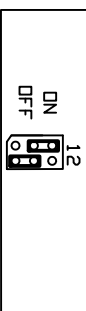
CONNECTION DIAGRAM

- BK - BLACK BL - BLUE
- BR - BROWN GY - GRAY
- G - GREEN O - ORANGE
- P - PURPLE R - RED
- W - WHITE Y - YELLOW

Note: 1) If any of the original wire as supplied with the appliance must be replaced, it must be replaced with wiring having a temperature rating of at least 105C



ACTUATOR JUMPER SETTING



CAMUS Hydraulics Ltd.

INFORMATION CONTAINED IN THIS DRAWING IS THE SOLE PROPERTY OF CAMUS HYDRONICS LTD. NO REUSE, REPRODUCTION, OR TRANSMISSION OF THIS DRAWING IS PERMITTED WITHOUT THE WRITTEN PERMISSION FROM CAMUS HYDRONICS LTD IS PROHIBITED.

DynaFLO

120V, 60Hz

Electrical Diagram

BY	DATE	SIZE	DRAWING #	REV
PT	22-OCT-19	C	99-0700	00
DESIGNED	PT	22-OCT-19	SCALE	SHEET
CHECKED			N.T.S.	1 OF 1