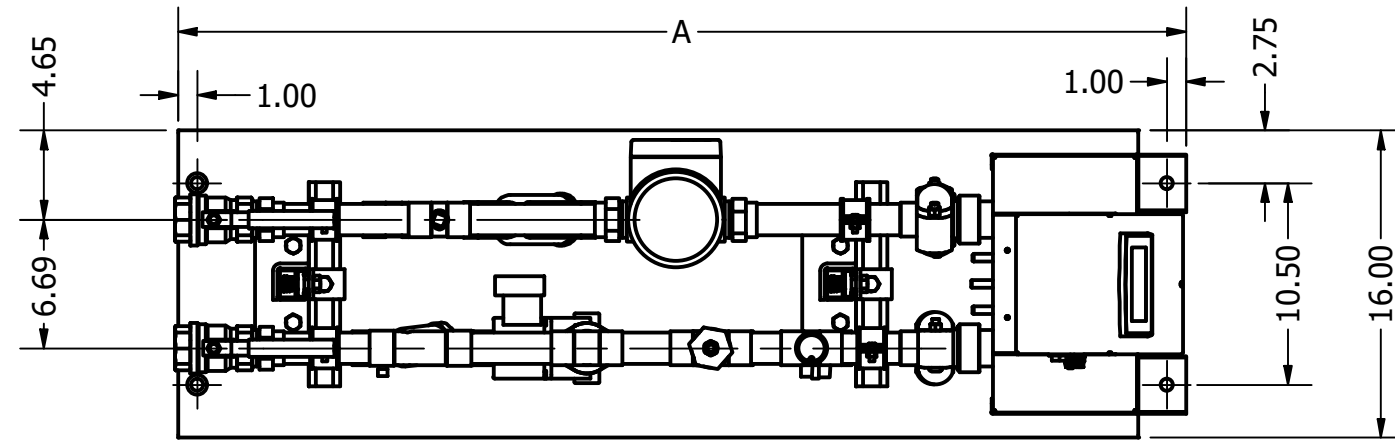


NOTES:

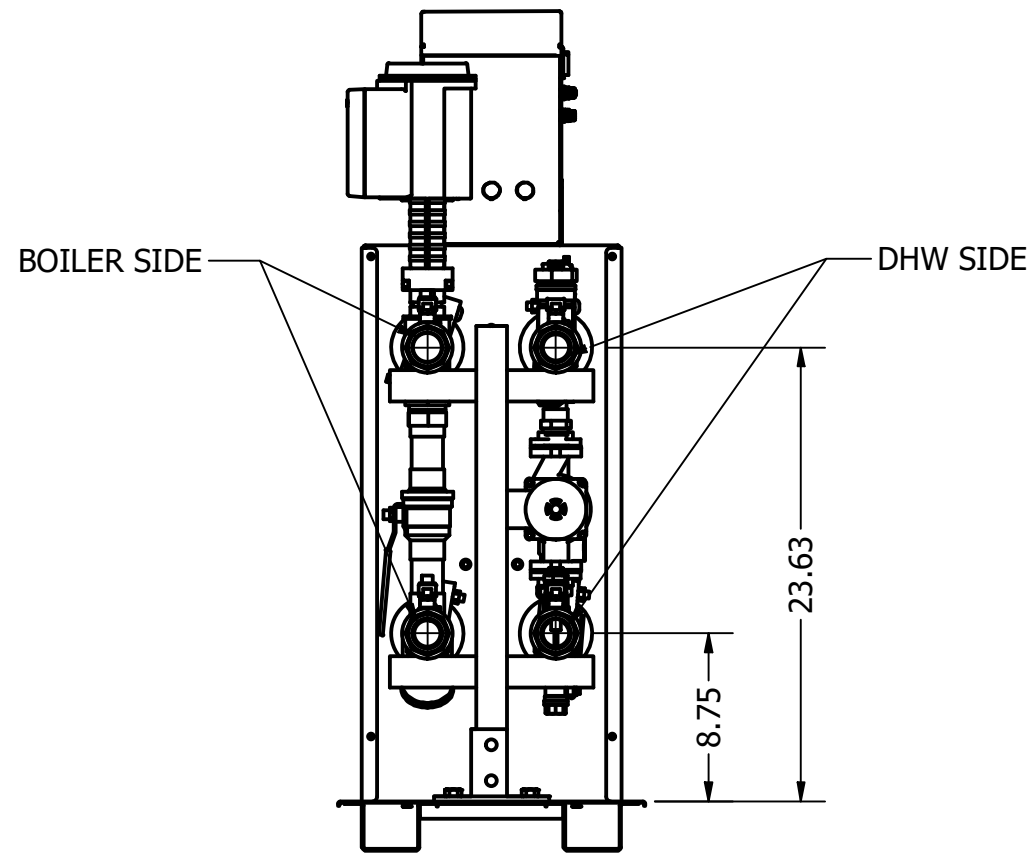
1. DIMENSIONS IN INCHES
2. 5/8" MOUNTING HOLES SHOWN ON PLAN VIEW

MODEL	A
S1-S5; D1-D3	52-1/2
S6; D4-D6	58-1/4

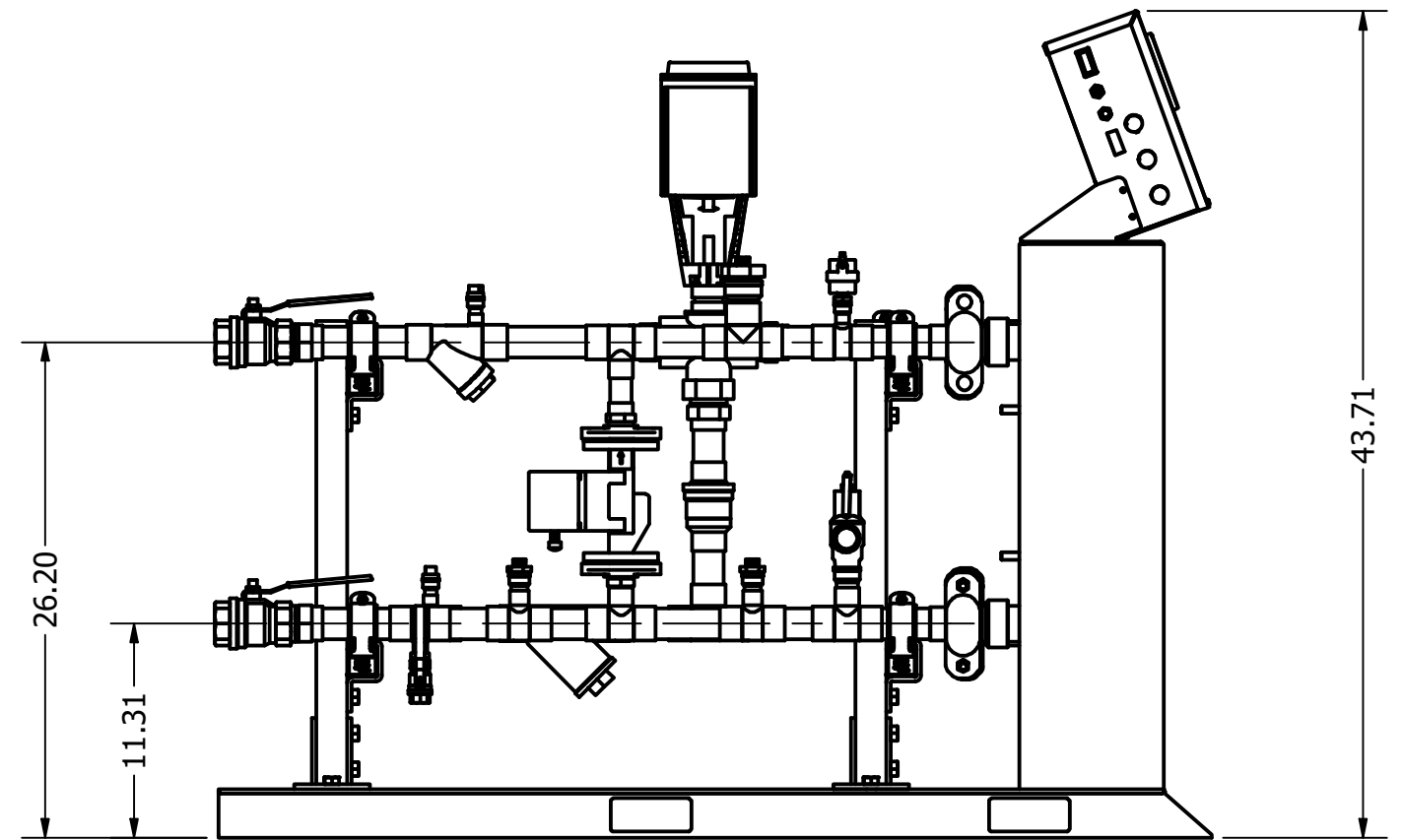
MODEL	Outlet Connections
S1-S2; D1-D2	1.5" FNPT
S3- S6; D3-D6	2" FNPT



PLAN



I/O



ELEVATION