

VTECH™

Stainless Steel Condensing Water Heater

Durability Advances in manufacturing has allowed us to build the VTech using an all stainless steel construction, making it impervious to corrosion

Safety Multiple layers of advanced controls will provide peace of mind and protect your investment

Reliability Advanced combustion and control systems have simplified the operation of this state of the art water heater

Sustainability Engineered to perform at the highest levels of efficiency using modern condensing technology with the lowest emissions in the industry



Main Features

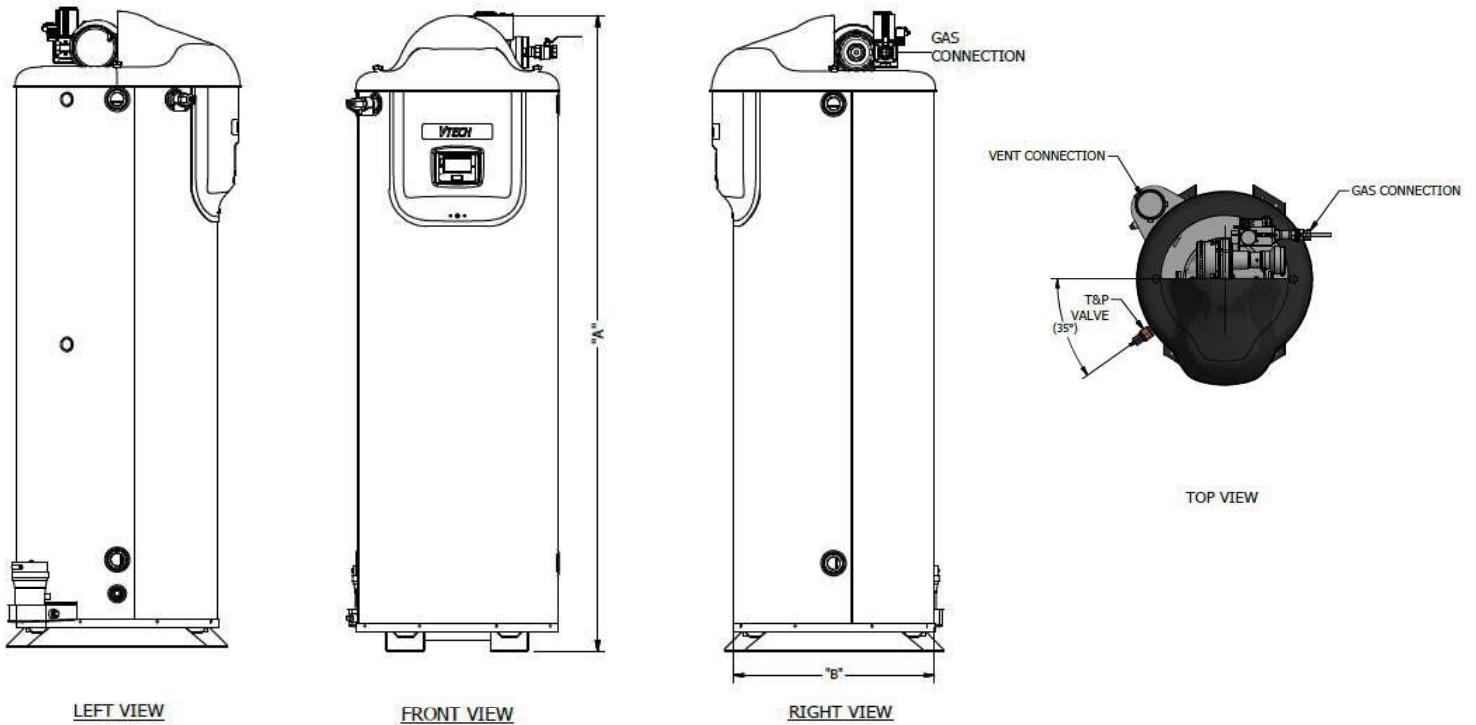
- Efficiencies of up to 95%
- Fully modulating with a 5:1 turndown
- Low NOx emissions, SCAQMD compliant
- Integrated digital operating control
- 160 PSIG M.A.W.P. stainless steel storage tank
- All stainless steel water surfaces
- Extremely low noise level of operation
- Available in natural gas or propane

Integrated digital operating control system

- Easy to read backlit LCD display
- Alarm and fault history
- Multi-user secure access
- Field or remote temperature adjustment

Additional Features

- Left or right side water connections
- Air switch and blocked flue switch
- Stack temperature limit
- Proven hot surface ignition
- Neutralizer kit
- Integrated UL353 approved fail safe manual reset high limit @ 195°F
- 150 PSI temperature & pressure relief valve
- Thru wall exhaust vent (vertical or horizontal) with 3 intake options
 1. Outside air direct venting
 2. Outside air
 3. Indoor air
- PVC/CPVC/Stainless Steel/PPE Category II & IV vent options



Dimensions

Model	"A"	"B"
VT-80	53"	27"
VT-100	53"	27"
VT-120	66"	27"
VT-150	66"	27"
VT-199	76"	27"
VT-250	76"	27"
VT-299	76"	27"
VT-399	76"	27"
VT-499	85 3/4"	27"

Recovery Capacities (GPH) (Continuous)

Model	140°F Rise	120°F Rise	100°F Rise	80°F Rise	60°F Rise	40°F Rise
VT-80	65	76	91	114	152	228
VT-100	81	95	114	142	190	285
VT-120	102	119	142	178	237	356
VT-150	122	142	171	214	285	427
VT-199	162	189	227	283	378	567
VT-250	203	237	285	356	475	712
VT-299	243	284	341	426	568	851
VT-399	325	379	454	568	757	1136
VT-499	406	474	568	711	947	1421

Tank Capacity

Model	US Gallons
VT-80	60
VT-100	60
VT-120	80
VT-150	80
VT-199	100
VT-250	100
VT-299	100
VT-399	100
VT-499	115

Input/Output BTU/hr

Model	Max Input	Max Output
VT-80	80,000	76,000
VT-100	100,000	95,000
VT-120	125,000	118,750
VT-150	150,000	142,500
VT-199	199,000	189,050
VT-250	250,000	237,500
VT-299	299,000	284,050
VT-399	399,000	379,050
VT-499	499,000	474,050