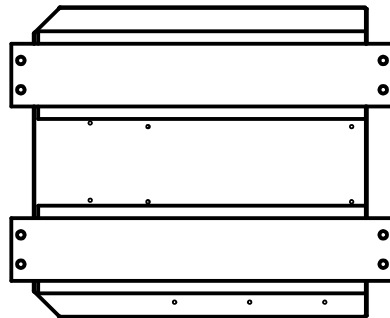


SECTION A-A  
SCALE 0.11



ALL DIMENSIONS ARE IN INCHES. TOLERANCES UNLESS OTHERWISE STATED: XX +/- 0.06" XXX +/- 0.03" ANGULAR: +/- 0.5°-MACH X-XXX +/- 0.015" +/- 1°-BEND FRACTIONAL +/- 1/32"		6226 NETHERHART RD MISSISSAUGA, ON L5T 1B7 PH: 905-696-7800 FX: 905-696-8801		<b>CAMUS</b> Hydronics Ltd.	
DRAWN	JHowe	9/12/11	PART NO	REV	SR&ED
CHECKED			90-13100	02	P2
RELEASED			DESCRIPTION		
MATERIAL			DR300/DR350 ASSEMBLY		
			FINISH		
			NONE		
THIS DRAWING IS THE PROPERTY OF CAMUS HYDRONICS LTD. THIS DRAWING MAY NOT BE USED/COPIED WITHOUT CAMUS' PRIOR WRITTEN CONSENT.			DWG NO		SHEET
			90-13100		1 OF 1