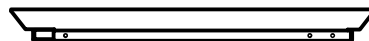
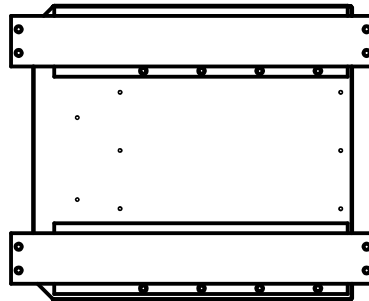


SECTION A-A
SCALE 0.09



THIS DRAWING REFERENCES 3D CAD FILE: 90-13600.iam REV: 01

ALL DIMENSIONS ARE IN INCHES.		6226 NETHERHART RD	
		CAMUS <i>Hytronics Ltd.</i>	
DRAWN	JHowe	9/15/2011	DESCRIPTION
CHECKED			DR1400 Assembly
RELEASED			
MATERIAL		FINISH	
		NONE	
THIS DRAWING IS THE PROPERTY OF CAMUS		DWG NO	DWG REV SHEET
		90-13600.dwg	01 1 OF 1