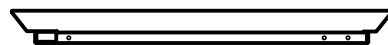
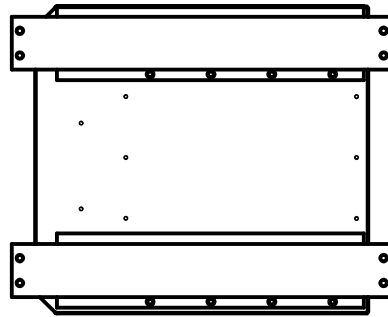


SECTION A-A
SCALE 0.08



THIS DRAWING REFERENCES 3D CAD FILE: 90-13800.iam REV: 00

ALL DIMENSIONS ARE IN INCHES.
TOLERANCES UNLESS OTHERWISE STATED:
X.X +/- 0.06"
X.XX +/- 0.03" ANGULAR: +/- 0.5°-MACH
X.XXX +/- 0.015" +/- 1°-BEND
FRACTIONAL +/- 1/32"

6226 NETHERHART RD
MISSISSAUGA, ON
L5T 1B7
PH: 905-696-7800
FX: 905-696-8801



DRAWN	JHowe	9/15/2011
CHECKED		
RELEASED		
MATERIAL		FINISH NONE

DESCRIPTION
DR2000 Assembly

THIS DRAWING IS THE PROPERTY OF CAMUS HYDRONICS LTD. THIS DRAWING MAY NOT BE USED/COPIED WITHOUT CAMUS' PRIOR WRITTEN CONSENT.

DWG NO
90-13800.dwg

DWG REV	00	SHEET	1 OF 1
---------	----	-------	--------